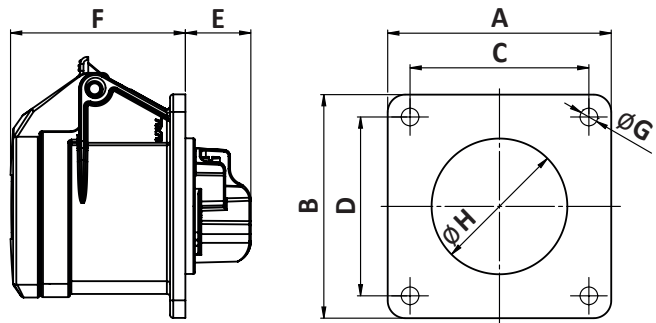


POWtec CEE Panel Mounted Socket Outlets, Black IP44



- Splash-proof, IP44
- Screw terminals
- Brass contacts



Maximum Conductor Cross-section		
Current Rating	Flexible	Solid
16A	4mm ²	6mm ²
32A	6mm ²	10mm ²

Dimensions (mm)						
Poles	3	4	5	3	4	5
Current	16A			32A		
A and B	70	70	70	70	70	70
C and D	56	56	56	56	56	56
E	21	21	21	23	23	23
F	55	55	55	67	67	67
G	5.5	5.5	5.5	5.5	5.5	5.5
H	43	45	55	55	55	58
Weight (g)	115	127	141	162	178	206

Voltage		230 V~	400 V~
Frequency		50/60 Hz	50/60 Hz
Designation		3p = 6h 4p/5p = 9h	3p = 9h 4p/5p = 6h
Current	Poles	Part No.	Part No.
16A	3	POWtecS-316B-P044-B	-
16A	4	-	POWtecS-416R-P044-B
16A	5	-	POWtecS-516R-P044-B
32A	3	POWtecS-332B-P044-B	-
32A	4	-	POWtecS-432R-P044-B
32A	5	-	POWtecS-532R-P044-B